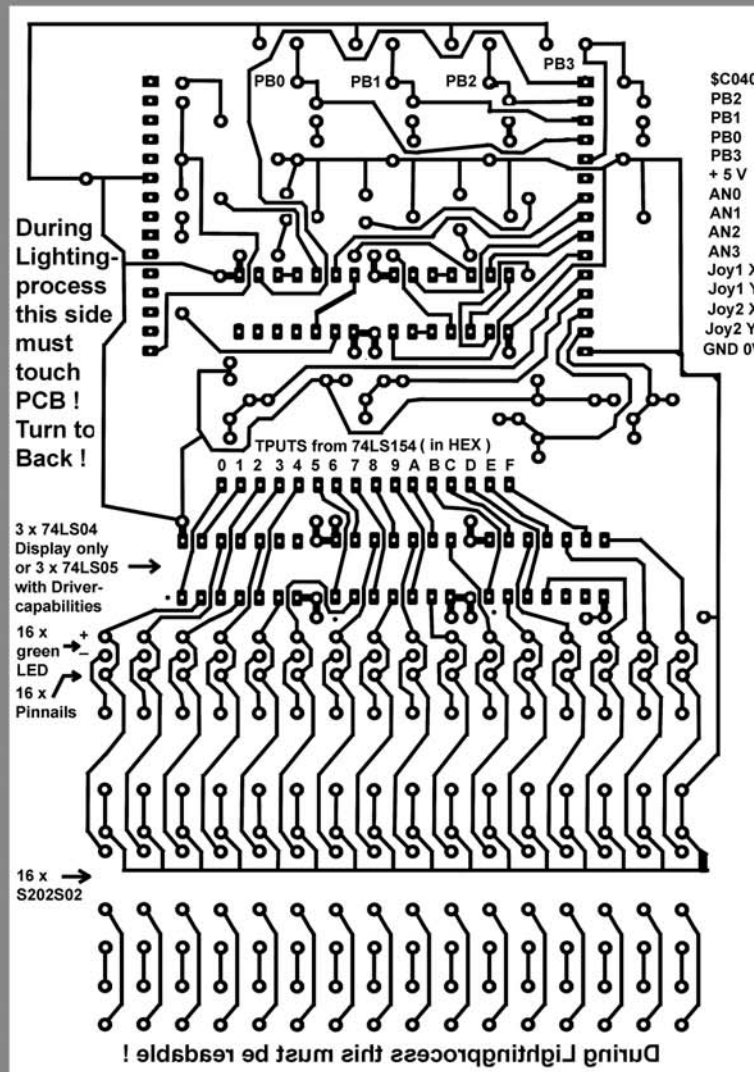


Pagesize 8" x 11"



PCB-size 100 mm x 148 mm